



DELTAPLUS

SUPCO  
STRUCTURAL SUPPORT



## Destination

SUPCO is designed to support the metal structures of technical equipment on flat roofs.

This equipment can be extractors, solar panels, air conditioning units, etc.

SUPCO can also be used to create a waterproofing upstand that complies with DTU 43.3 and 43.1.

## Dimensions

SUPCO consists of a 220x220x8 plate, a 60x60x4 tube welded to this plate and a second 220x220x8 plate.

A removable collar is fixed to the underside of the support plate to protect the seal at the top.

The oblong holes allow support structures up to 160mm wide to be fixed.

## Flanges

SUPCOs can be supplied with 2 clamps to hold the structure in place. These clamps are 50mm wide U-sections pre-drilled in the workshop.

M12 threaded rods clamp the support structure to the support plate. The assembly is held together by M12 lock nuts.

The supporting structure can be supplied by us on request, along with the necessary fittings.

## Treatment

SUPCO is made of steel. It is treated against corrosion by hot-dip galvanising in accordance with current regulations<sup>1</sup>.

The U-profiles are made of steel and treated against corrosion by hot-dip galvanising in accordance with current regulations<sup>1</sup>.

The threaded rods are made of zinc-plated steel.

## **Insulation**

SUPCO is insulated to prevent thermal bridging problems or damage caused by damp or flooding.

This insulation is located in the tube. It is a single-component polyurethane foam.

## **Fasteners**

SUPCO can be installed on a concrete roof using chemical or mechanical fixings, or on a metal or timber frame using a counter plate or clamp and threaded rods or bolts.

The recommended fixings can be supplied with SUPCOs on request.

## **Expenses**

It is up to the design office, the SPS or the inspection office to determine the number of SUPCOs required to ensure that the structure as a whole holds together.

Each SUPCO can support a load of 2 tonnes in pure compression and approximately 650 kg in simple bending (see load table).

## **Manufacturer's liability**

SUPCO is covered by a manufacturer's liability insurance policy.

This does not include installation and waterproofing work, which remains the responsibility of the company installing the anchors.

<sup>1</sup> Galvanisation: NF EN 1461 and NF EN14713

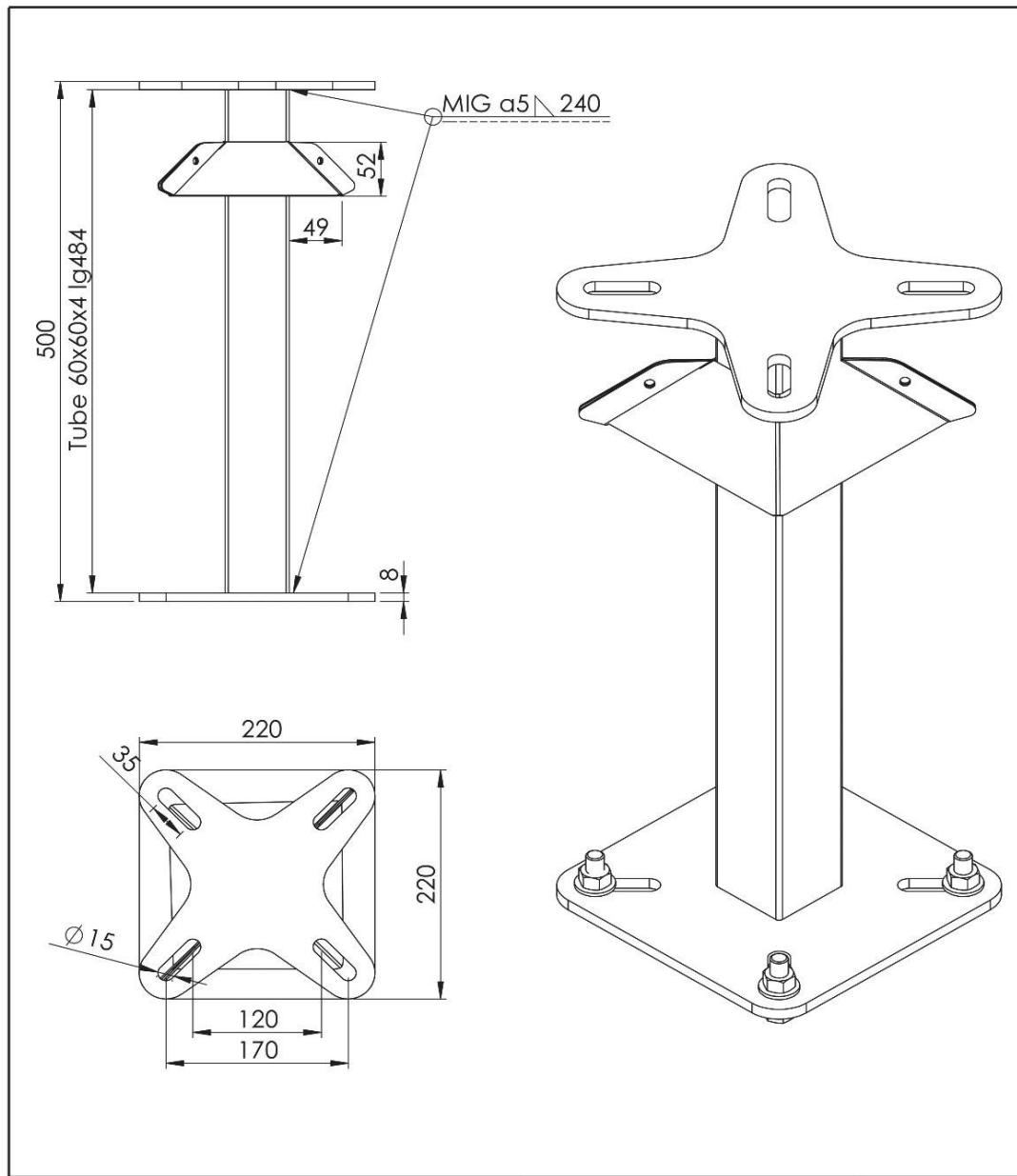


Table of breaking loads (per support)

<b>SUPCO500</b>	Permissible load	
Simple	500 daN	Safety coeff : 1.5
Pure compression	1000 daN	